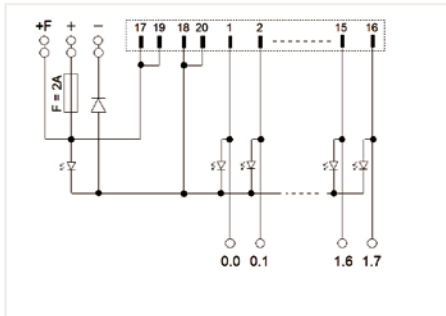
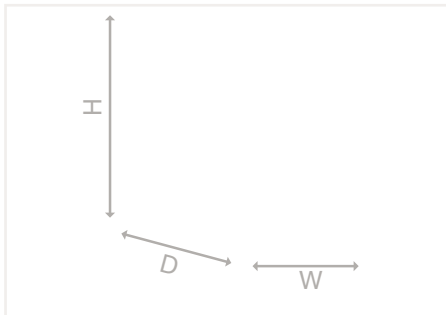


## Interface Module for System Wiring 704 Series



Interface Module for System Wiring;  
DIN 41651 connector; Male connector; 20-pole;  
16-channel digital input or output; 1-wire connection;  
Double-deck PCB terminal blocks;  
with mounting carrier

	Item No.	Pack. Unit
	704-2004	1



Electrical Data	
Inputs/Outputs	16-channel digital input or output
Circuit type	1-wire connection
Nominal operating voltage	24 VDC
Operating voltage range	±10 %
Power consumption (status indication)	5 mA
Total current	2 A
Limiting continuous current	1 A
Status indicator	Green LED (channel); Yellow LED (power supply)
Internal fuse	2 A

Safety and Protection	
Rated voltage	50 V
Rated surge voltage	0.8 kV
Pollution degree	2

Connection Data	
Connection type 1	System
Pole number 1	20
Connector 1	DIN 41651 male connector
Mating direction 1	Vertical
Connection type 2	Field
Pole number 2	16
Design 2	PCB terminal blocks; double-deck
Connection technology 2	CAGE CLAMP®
Solid conductor 2	0.08 ... 2.5 mm <sup>2</sup> / 28 ... 12 AWG
Fine-stranded conductor 2	0.08 ... 2.5 mm <sup>2</sup> / 28 ... 12 AWG
Strip length 2	5 ... 6 mm / 0.2 ... 0.24 inch
Connection type 3	Power supply
Pole number 3	6
Design 3	PCB terminal blocks; double-deck
Connection technology 3	CAGE CLAMP®
Solid conductor 3	0.08 ... 2.5 mm <sup>2</sup> / 28 ... 12 AWG
Fine-stranded conductor 3	0.08 ... 2.5 mm <sup>2</sup> / 28 ... 12 AWG
Strip length 3	5 ... 6 mm / 0.2 ... 0.24 inch

Physical Data	
Width	55 mm / 2.165 inch
Height from upper-edge of DIN-rail	50 mm / 1.969 inch
Depth	85 mm / 3.346 inch

Mechanical Data	
Mounting type	DIN-35 rail
Housing design	Mounting carrier

Material Data	
Weight	80 g

Environmental Requirements	
Surrounding air temperature (operation)	-20 ... +50 °C
Surrounding air temperature (storage)	-40 ... +70 °C
Relative humidity	≤ 85 % (non-condensing)